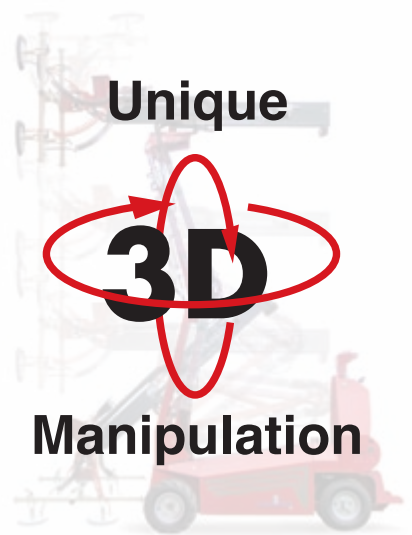




GLASSLIFT 550 Mobile Glass Handler



Unique
3D
Manipulation

Unique handling, safety and service features:



3D Manipulation

The strong, and extremely precise head, on which the front system is mounted, has a sturdy design which allows the front system to rotate and tilt the elements in all directions. Consequently, the mounting options are almost unlimited.

The ability to manipulate materials 360° in all directions is truly unique. You can approach the mounting area from any angle and adapt the load with the 3D feature. It is truly second to none.



Strongest Power Pack



The GlassLift 550 comes with a powerful 490Ah battery as a standard. A premium lithium battery is an option that gives you even more capacity, this gives you the ability to charge 100% in only 2 hours.

550kg in Full Work Envelope



The GlassLift 550 is a multilifter, able to handle any material from glass and plasterboards to granite, concrete elements and heavy firedoors, up to 550kg (1212 lb).

Powerful Hydrostatic Drive



The GlassLift 550 has a very reliable hydrostatic drive, making it very manoeuvrable. Our designs are reliable performers built to endure the long hours and intense working conditions met in commercial and industrial applications.

Fully Parallel Operation



Upper arm can mount objects up to 4m (157 in) height with precision, as the arm moves in an upright position, parallel to the facade. A sledge enables the arm to move parallel to both sides, 1mm at a time; for 100mm (4 in) of side shift.

Extreme Terrain Ability



With the front twin-wheels and the powerful hydraulic drive, the GlassLift 550 can operate in all kinds of different terrains.

Millimeter Precise



The GlassLift 550 is highly precise. This will ensure easy fitting and reduce damage to any materials. It's high precision makes mounting much faster than traditional mounting.



Global Lift Group
www.globalliftgroup.com
sales@globalliftgroup.com

North American Head Office
Delaware, ON Canada N0L 1E0
Phone: 1.855.779.3371

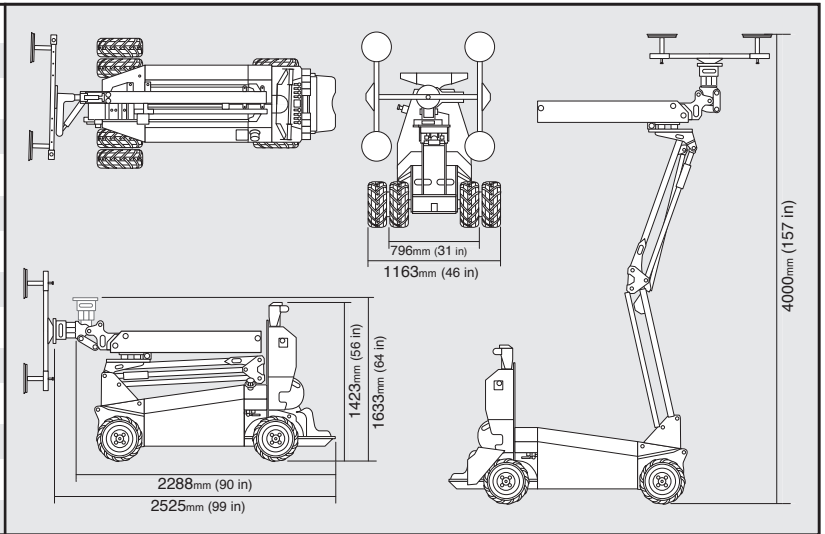
European Head Office
DK - 9640 Farsoe Denmark
Phone: 45 75727215

GLOBAL LIFT GROUP



Technical Specifications

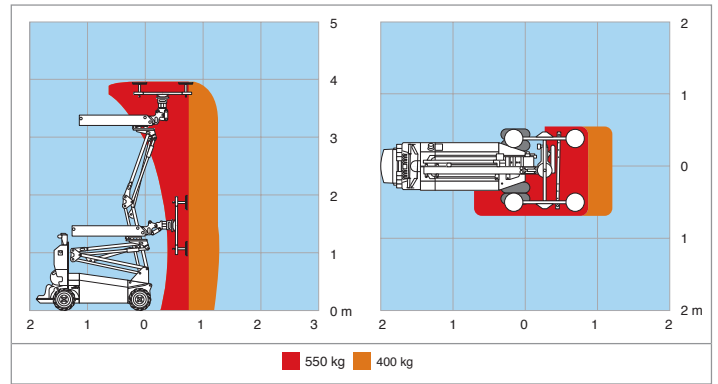
Description	Value
Loading capacity	550 kg / 1212 lb
Own weight	1450 kg / 3197 lb
Counter Weights	8 x 25 kg (55 lbs)
Machine min. width	796 mm / 31 in
Machine max. width	1163 mm / 46 in
Machine min. length	2288 mm / 90 in
Machine min. height	1423 mm / 56 in
Autonomy	Up to 16 hours
Front / Rear wheels	Filled Rubber Foam
Charging current	220 or 110 V
Battery specs.	2 x 12V (490 Ah)
Charging time	10% - 100% 5 hours
Charging time	25% - 70% 2 hours



Unique Adaptability

Range

The GlassLift 550 can lift 550 kg (1212 lb) from floor level up 4m (157 in) in a fully parallel operation, offering 430mm (17 in) of boom extension.



Unique Pick-Up Functionality



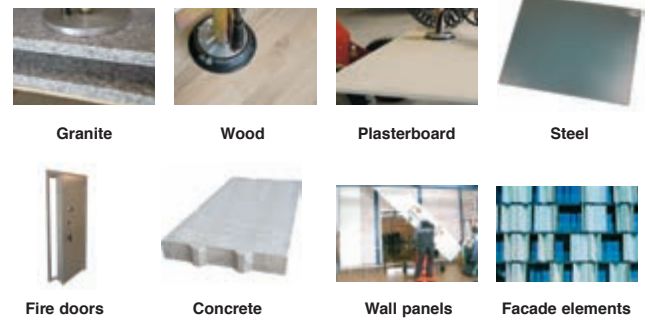
The GlassLift 550 multilifter, has the unique functionality of picking up elements from floor level with ease.



Narrow Passages

Outside wheels are easily removed in 3-5 minutes, allowing passage through doors, & hallways as narrow as 796mm (31 in).

Materials



Standards

Our machines comply with the requirements of Machinery Directive 2006/42/EC, and are ASME B30.5, 5-1.1, 5-1.10 Compliant, ASME B30.20 Compliant, SAE-J1063 Compliant, and SAE-J765 Compliant. Other standards met include EN ISO 14121-1, EN ISO 12100-1, EN ISO 12100-2, EN 13155, EN 982. Our manufacturing facility is ISO9001 certified.



Global Lift Group
www.globalliftgroup.com
sales@globalliftgroup.com

North American Head Office
Delaware, ON Canada N0L 1E0
Phone: 1.855.779.3371

European Head Office
DK - 9640 Farsøe Denmark
Phone: 45 75727215

